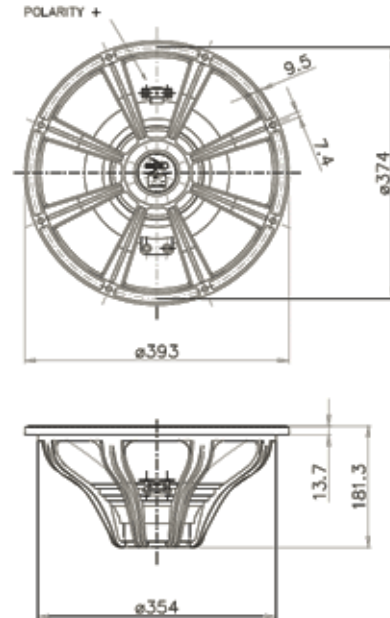




15FH500 Five Hundred Series



NOMINAL SPECIFICATIONS

Nominal Diameter	380 mm (15 in)
Overall Diameter	393 mm (15.47 in)
Bolt Circle Diameter	374 mm (14.72 in)
Baffle Cutout Diameter	354 mm (13.94 in)
Depth	181.3 mm (7.14 in)
Flange and Gasket Thickness	13.7 mm (0.54 in)
Net Weight	4.4 Kg (9.7 lb)
Shipping Box (Single Carton Box)	426x429x225 mm (16.8x16.9x8.9 in)
Shipping Weight	5 Kg (11 lb)

ELECTRICAL SPECIFICATION

Minimum Impedance	6 Ohm
Nominal Impedance	8 Ohm
Nominal Power Handling *	500 W
Maximum Power Handling **	1000 W
Sensitivity (1W/1m)	98 dB
Frequency Range	35-3150 Hz
Voice Coil Diameter	77 mm (3 in)
Winding Material	Cu
Former Material	Glass Fiber
Winding Depth	22 mm (0.87 in)
Magnetic Gap Depth	10.5 mm (0.41 in)
Flux Density	1.2 T

THIELE & SMALL PARAMETERS

Fs	35 Hz
Re	5.1 Ohm
Bl	19.2 N/A
Mms	104 g
Cms	0.2 mm/N
Rms	2.2 Kg/s
Qes	0.32
Qms	10.40
Qts	0.31
Vas	217.4 dm ³ (7.68 ft ³)
Sd	880 cm ² (136.4 in ²)
Xmax ***	9.25 mm
Xdamage ****	16 mm
Le	1.3 mH
Mmd	89.7 g
Eta Zero	2.8 %

ORDERING CODES

Push Terminals - 8 Ohm Version	03803926
Faston Terminals - 8 Ohm Version	03803934

NOTES

PATENTED IT2006/000327

(*) 2 Hours Test According to AES 2-1984 Rev. 2003

(**) Maximum power is defined as 3dB greater than nominal power.

(***) $X_{max} = [(winding\ depth - magnetic\ gap\ depth) / 2] + (magnetic\ gap\ depth / 3)$

(****) Maximum excursion before permanent damage

CURVES

